

Tubular Handles

Stainless Steel, Mounting from the Back

SPECIFICATION

Types

- Type **K**: With plastic cover
- Type **E**: With stainless steel cover cap

Handle tube

Stainless steel AISI 304, wall thickness 1,5 mm
Matte shiny finish, ground

Handle legs

Stainless steel AISI 304
Matte shiny finish, ground

Covers

- Plastic, thermoplastic elastomer (TPE)
Black, matte finish for type K
- Stainless steel AISI 304 for type E

INFORMATION

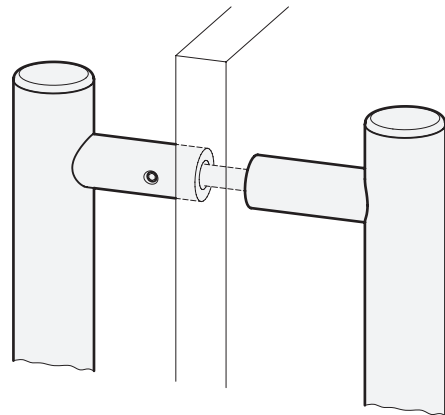
Type E of tubular handles GN 666.5 is completely made of A2 stainless steel.

ON REQUEST

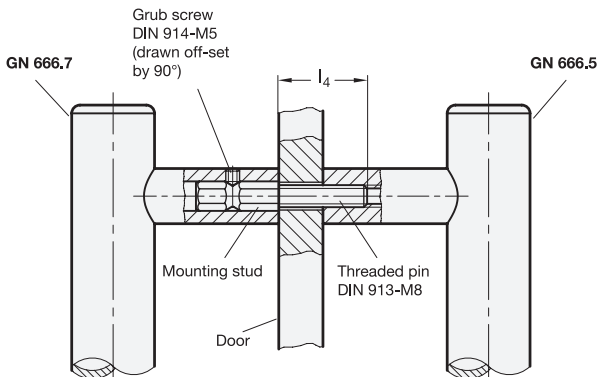
- Special lengths

TECHNICAL INFORMATION

- Example of application (see page 3)
- Load Rating Information (see page A35)
- Plastic Characteristics (see page A2)
- Stainless Steel Characteristics (see page A26)

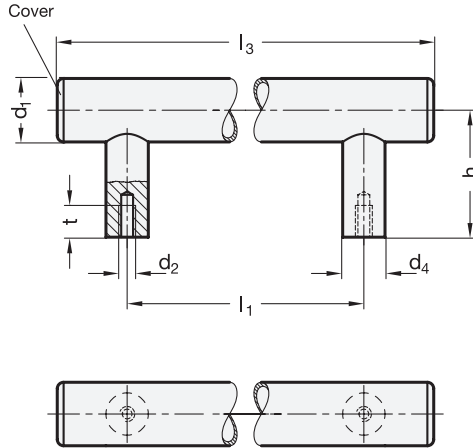


Example of application



Tubular handles GN 666.5 allow the mounting of a pair of handles in opposite position. This method could be used on doors (double handle).

Generally a modification of the thread length l_4 is required for this. The included threaded pin DIN 913-M8x25-A2 of the mounting stud needs to be replaced by longer threaded pin, too. Handles with a modified thread length l_4 are available on request.



GN 666.5-K

STAINLESS STEEL

Description	d1	d2	l1 ±0.5	d4	h	l3	t min.	⚖
GN 666.5-30-M6-200-K	30	M 6	200	20	60	265	15	510
GN 666.5-30-M6-250-K	30	M 6	250	20	60	315	15	540
GN 666.5-30-M6-300-K	30	M 6	300	20	60	365	15	589
GN 666.5-30-M6-400-K	30	M 6	400	20	60	465	15	707
GN 666.5-30-M6-500-K	30	M 6	500	20	60	565	15	800
GN 666.5-30-M6-600-K	30	M 6	600	20	60	665	15	920
GN 666.5-30-M8-200-K	30	M 8	200	20	60	265	15	481
GN 666.5-30-M8-250-K	30	M 8	250	20	60	315	15	500
GN 666.5-30-M8-300-K	30	M 8	300	20	60	365	15	550
GN 666.5-30-M8-400-K	30	M 8	400	20	60	465	15	677
GN 666.5-30-M8-500-K	30	M 8	500	20	60	565	15	780
GN 666.5-30-M8-600-K	30	M 8	600	20	60	665	15	880

GN 666.5-E

STAINLESS STEEL

Description	d1	d2	l1 ±0.5	d4	h	l3	t min.	⚖
GN 666.5-30-M6-200-E	30	M 6	200	20	60	265	15	600
GN 666.5-30-M6-250-E	30	M 6	250	20	60	315	15	616
GN 666.5-30-M6-300-E	30	M 6	300	20	60	365	15	688
GN 666.5-30-M6-400-E	30	M 6	400	20	60	465	15	772
GN 666.5-30-M6-500-E	30	M 6	500	20	60	565	15	885
GN 666.5-30-M6-600-E	30	M 6	600	20	60	665	15	968
GN 666.5-30-M8-200-E	30	M 8	200	20	60	265	15	585
GN 666.5-30-M8-250-E	30	M 8	250	20	60	315	15	620
GN 666.5-30-M8-300-E	30	M 8	300	20	60	365	15	655
GN 666.5-30-M8-400-E	30	M 8	400	20	60	465	15	725
GN 666.5-30-M8-500-E	30	M 8	500	20	60	565	15	800
GN 666.5-30-M8-600-E	30	M 8	600	20	60	665	15	880



4

U-Handles